

Solar Mosaic Jar Instruction Manual

Operation Instructions: Please read and follow these instructions before you use the product.
Please keep the package and instructions stored for future reference.

Contents:

- (1) Solar Mosaic Jar with Top Solar Panel
- (1) Ni-MH AAA 600 mAh 1.2V Rechargeable Battery

Solar Mosaic Jar Features: Automatic sensor will allow for the lights to turn on at dusk.

Operating Instructions:

- Carefully lift off the Top Solar Panel upwards from the Solar Mosaic Jar.
- Turn the Solar Cell Switch to the ON position on the underside of the Top Solar Panel.
- Place the Top Solar Panel back onto the Solar Mosaic Jar.
- Place the Solar Mosaic Jar in an area that will receive at least 6 to 8 hours of sunlight.
- At dusk, the Solar Mosaic Jar will automatically turn on.
- To turn off the light at any time, turn the Solar Cell Switch to the OFF position.

Important Information To Read Before Using:

- **The Solar Mosaic Jar will only recharge when the Solar Cell Switch is in the ON position.**
- **The Solar Mosaic Jar will NOT recharge using any artificial light -- only sunlight.**
- **For best performance, we recommend that you recharge Solar Mosaic Jar outdoors in direct sunlight. For indoor recharging, please place Solar Mosaic Jar on a windowsill that will be exposed to constant sunlight.**

Battery Replacement:

There is a rechargeable battery (Ni-MH AAA 600 mAh 1.2V) included in the Solar Mosaic Jar. Replace only with same battery type. As with all rechargeable batteries, their ability to hold a charge will diminish over time and is not the fault of the product. When the lighting time becomes shorter than usual, the battery should be replaced by doing the following:

- Step 1 - Carefully lift off the Top Solar Panel upwards from the Solar Mosaic Jar.
- Step 2 - Remove the battery cover from battery compartment which is located on the underside of the Top Solar Panel.
- Step 3 - Remove the AAA rechargeable battery (Ni-MH AAA 600 mAh 1.2V) from the battery compartment and insert a new rechargeable battery (same type) ensuring the polarity (+/-) is as indicated.
- Step 4 - Close the battery cover and place the Top Solar Panel back onto the Solar Mosaic Jar.

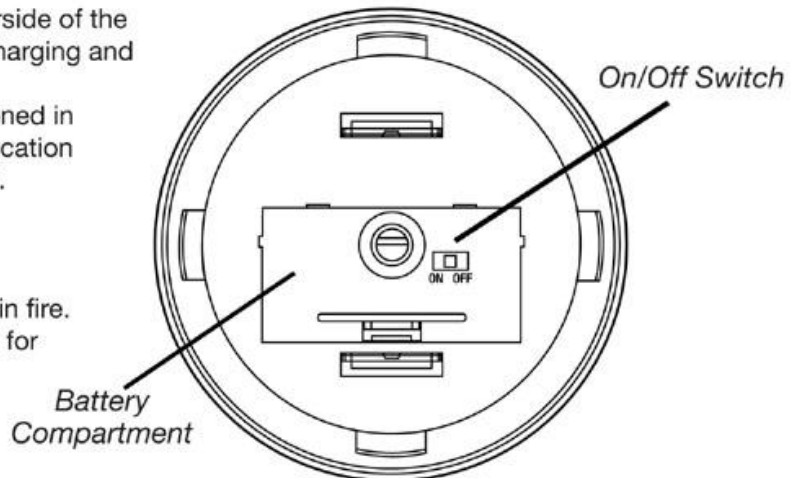
Trouble Shooting:

If your Solar Mosaic Jar does not come on at dusk, please try the following steps:

- Make sure that the Solar Cell Switch on the underside of the Top Solar Panel is in the ON position for both recharging and to have the light illuminate.
- Make sure that the Solar Mosaic Jar is not positioned in the shade during the day. If necessary, shift the location to an area which will receive 6-8 hours of sunlight.
- Check that the battery is installed correctly.

Battery Caution:

1. To avoid leakage or explosion, do not put battery in fire.
2. Remove the battery if product is to be left unused for a long period of time. Clean the battery contacts prior to battery installation.



UNDERSIDE OF LID